

# SPECIFICATION MINI CRANE

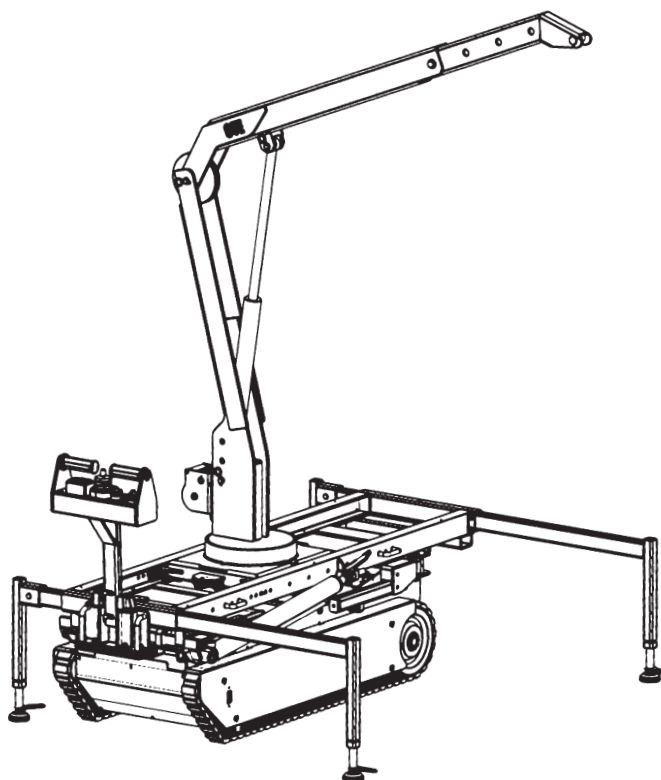
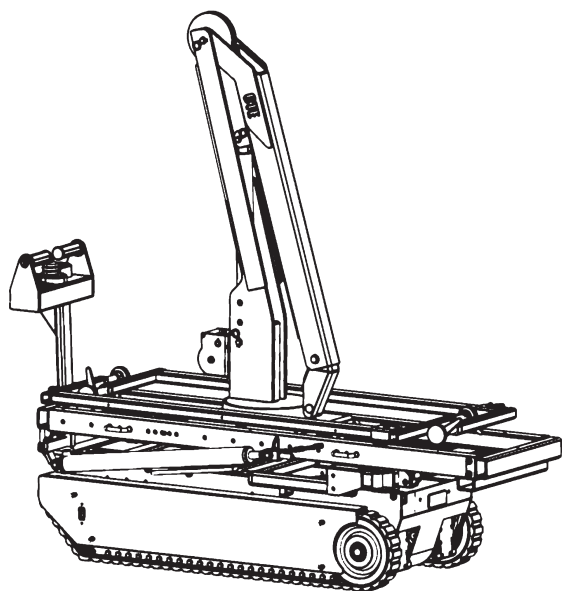
## TECHNICAL DATA

- Maximum hook height 2.300 mm
- Maximum hook height with jib 2.700 mm
- Maximum load 400 kg aprox
- Total weight of Pianoplan with mini crane 450 kg
- 2 adjustable transversal outriggers
- 4 independent height adjustable outriggers
- Manual winch 400 kg capacity, cable 10 mt
- Hydraulic lifting of main boom
- Removable 80 cm JIB with manual extension
- 340° Rotation non-continuous (170°+170°)

(preliminary data)

*Accessory designed by CTE adding new features and potential applications for the Pianoplan.*

*This accessory allows you to transform the Pianoplan into a mini crane, incredibly light and compact in size. The stabilizers are adjustable in height, and extend from both sides. The main boom is hydraulically operated, and has 3 position setting options, which allow the boom to be completely closed or to reach the maximum height. A JIB can also be added as well as a manual or electric winch. The installation of the accessory is possible only on the Pianoplan fitted with the new multifunction frame.*



ENGLISH

